



MoonRay Desktop 3D Printer

The Ultimate 3D Printing Solution for Digital Dentistry

An All-in-One System for Digital Dentistry

Choose between two high-performance options to meet your needs. MoonRay D75 is the preferred solution for producing highly-detailed crowns, copings, bridges and RPDs. MoonRay S100 excels at printing quickly, allowing you to create multiple precise dental models, surgical guides, all types of splints and retainers, provisional denture base, custom impression trays and more.





Both MoonRay models work with our user-friendly software, RayWare, and are compatible with a wide variety of dental materials including NextDent resins.

SprintRay 3D printers, software, and resin material work together as an ecosystem to deliver optimal accuracy and efficiency for the dental industry.



Industry Partners

BlueSkyBio

exocad

coDiagnostiX

3shape 

 exceed

 **Dolphin**

Compatible with

 **NextDent**[®]

High-Resolution, Fast, and Accurate

MoonRay makes it simple to print precise dental models from intraoral or other 3D scans. MoonRay's resolution is two times better than laser SLA 3D printers, ensuring accurate and intricate details on your printed dental models.

Its core DLP technology allows MoonRay 3D printers to produce prints up to ten times faster than other printers. With DLP technology, you can go from scan to print in a same-day patient visit.

Consistent Print Speed

Up to 10x Faster

When Compared to Laser SLA



Streamline Your Work Process

MoonRay can print multiple models at once, making your workflow faster and more economical. We broke down the cost and production time of the most common types of dental parts you can print with MoonRay:



Removable Die

Material Cost / Die
\$3.6 per Model



Surgical Guides

Material Cost / Guide
\$1.25 per Guide



Crowns

Material Cost / Crown
\$0.06 per Crown



Night Guards

Material Cost / Guard
\$0.9 per Guard



Denture Base

Material Cost / Base
\$3 per Base



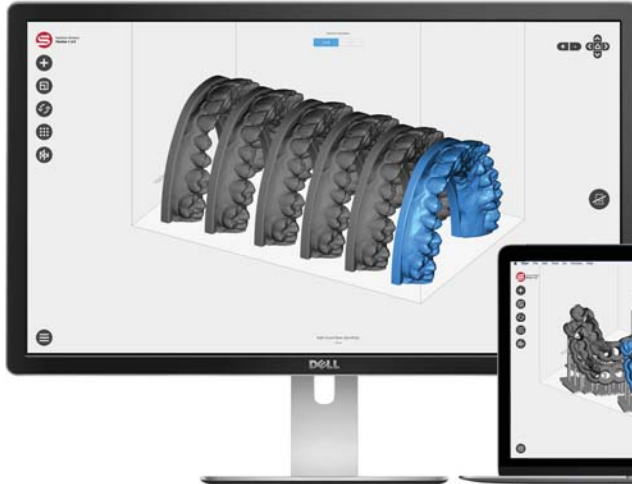
Indirect Bonding Tray

Material Cost / IBT
\$0.5 per Tray

Powerful, User-Friendly Software

MoonRay strikes the right balance between wireless and connected. Within RayWare, you can check for a detailed print status update, including time remaining, and quickly see which machines are ready to begin a new print.

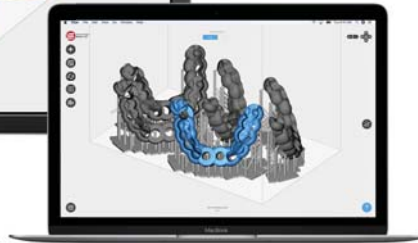
RayWare software is compatible with common 3D file types from intraoral and 3D scanners, and allows you to start printing in just a few clicks. It will guide you through the printing process, generate necessary supports, edit supports, and provide recommended settings for each material to ensure your parts print properly every time.



Compatible with

Mac / Windows

Fully Supported and Optimized



Custom-Built Projector for 3D Printing

MoonRay's UV LED projector hits the correct light wavelength consistently across the build platform for improved resin-curing control and dimensional stability, meaning all of your printed parts will be accurate. It's also amazingly fast, printing at speeds of up to one vertical inch per hour.

MoonRay's UV LED projector is manufactured with high-quality components and has an estimated lifespan of 50,000 hours.

Durable, Cost-Effective Resin Tank

MoonRay's unique resin tank was built to last. We've put an end to costly resin tank maintenance - you no longer need to replace your resin tank regularly or change the PDMS layer.

Our unique resin tank design lasts up to 25 times longer than the resin tanks of similar 3D printers.



Custom-built UV Projector

405nm

Blue-violet Light Engine

MoonRay Resin Tank

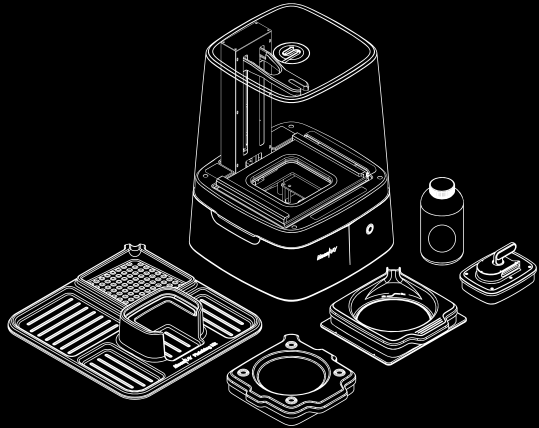
Up to 50 Liters

Extended Lifetime



What's in the Package

- 1 MoonRay 3D Printer
- 1 1 Liter of Model Resin
- 1 Resin Tank
- 1 Spare Resin Drum
- 1 Build Platform
- 1 Finishing Kit
- 1 Power Supply
- 1 Ethernet Cable



Complimentary Services

- 1 Multi-Channel Customer Support
- 1 Free 1 Hour Training Call with Every Verified Purchase

Contact Sales to Learn More

Contact our sales team to see how the MoonRay 3D printer can dramatically impact your dental practice and help you better treat your patients today.

Get In Touch With Us

Have a general question or a business inquiry? Reach out to us: Monday through Friday, 9 AM - 6 PM PST.

sprintray@gembird.nl
+31-(0)36-5211588



sprintray.eu